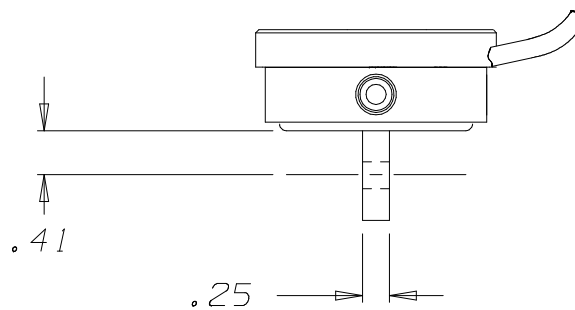


10 PIN CONNECTOR  
 CABLE LENGTH.:  
 6 FT. +/- 3"  
 QUADRATURE OUTPUT



RESOLUTION: .0001" / .002mm

**C2500  
 PROBE,  
 GROUP 2 CASE**