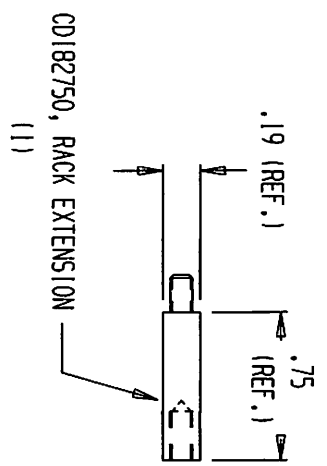
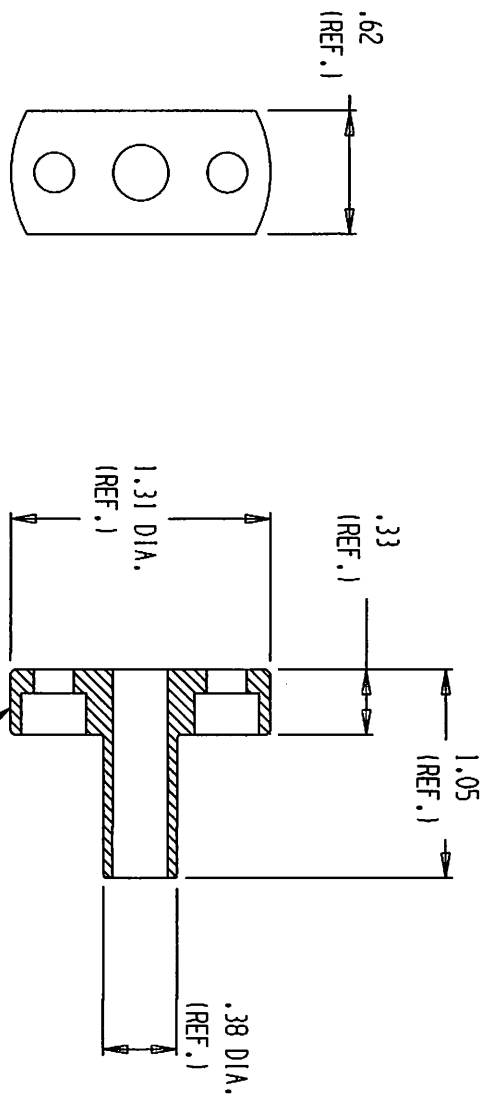


REV I S I O N S

LTR	DESCRIPTION	DATE	BY
A	RE-DIMENSIONED DRAWING	2/05/16	MD



NOTE:
 1. USE THE TWO CAP SCREWS TO HOLD STEM ADAPTER TO BOTTOM OF CASE. MAKE SURE THE SPINDLE OF THE GAGE IS CENTERED IN THE STEM ADAPTER BEFORE TIGHTENING THE CAP SCREWS.
 2. REMOVE CONTACT POINT FROM SPINDLE AND SCREW POINT INTO RACK EXTENSION, THEN SCREW RACK EXTENSION INTO SPINDLE.

CHICAGO DIAL INDICATOR CO.
 1372 REDEKER ROAD, DES PLAINES, IL. 60016

STEM ADAPTER ASSEMBLY, 2" & 4" LOGIC

TOLERANCES UNLESS OTHERWISE SPECIFIED .XXX:±.005, .XX:±.01, FRACTIONS:±.015

DRW BY	DATE	CHK BY	DATE	EJN NO.	CAD FILE NO.	SCALE
CCA	3/12/04			2445	620-0133	N/A
MATERIAL:				SIZE	DRAWING NO.	REV.
				A	620-0133	A