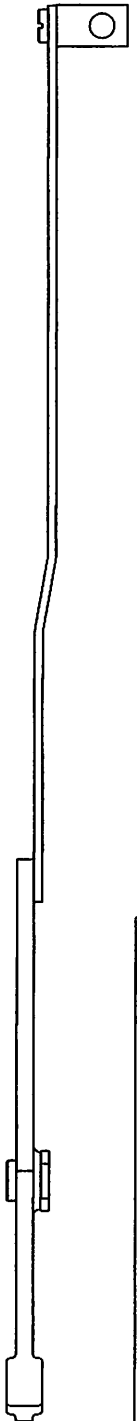
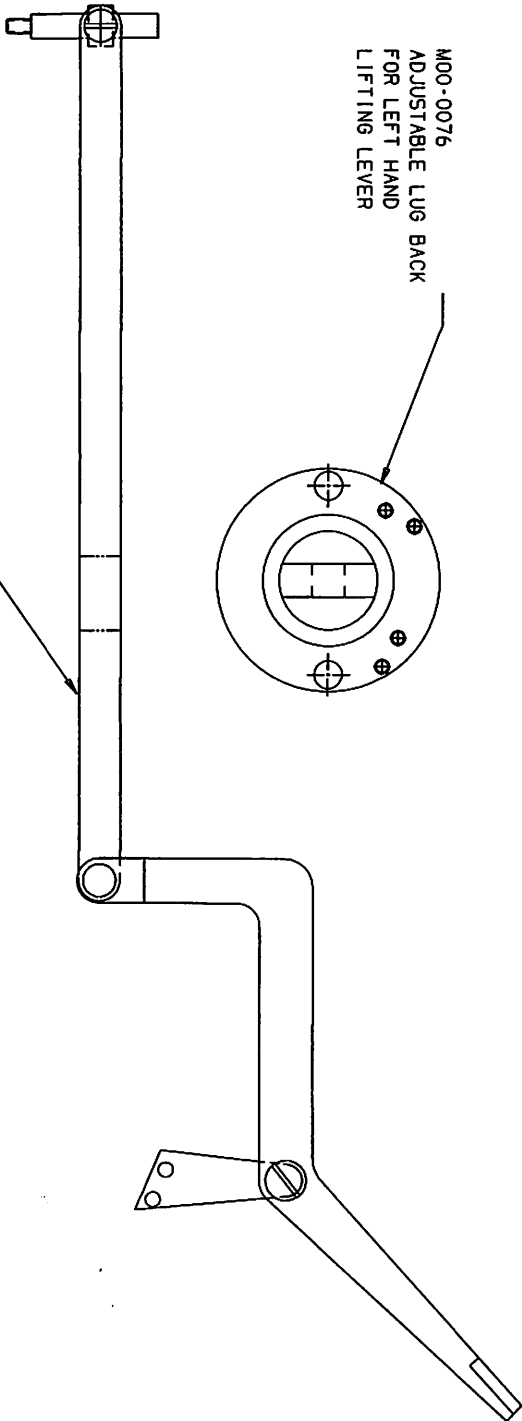
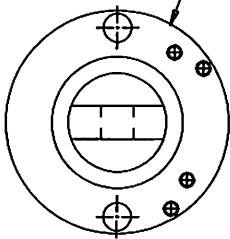


REVISIONS			
LTR	DESCRIPTION	DATE	BY
A	UPDATED DRAWING TO SHOW PARTS INCLUDED IN ASSEMBLY.	6-11-98	JN

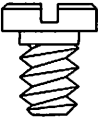
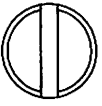


M00-0076
ADJUSTABLE LUG BACK
FOR LEFT HAND
LIFTING LEVER



G10-0021
LIFT LEVER ASSEMBLY,
LEFT HAND 4"
WITH 2 MOUNTING SCREWS
AS SHOWN

NOTE: REFERENCE SEE K04-0041 FOR ASSEMBLY INSTRUCTIONS.



CHICAGO DIAL INDICATOR CO.					
1372 REDEKER ROAD, DES PLAINES, IL. 60016					
TOLERANCES UNLESS OTHERWISE SPECIFIED .XXX±.005, .XX±.01, FRACTIONS±.015					
ASSEMBLY, LIFT LEVER 4" ELECTRONIC					
DRW BY	DATE	CHK BY	DATE	EJN NO.	CAD FILE NO.
JNEFF	8-3-92				CD17740L
MATERIAL: SEE CALLOTS			SIZE	DRAWING NO.	REV.
			B	CD177-40L	A