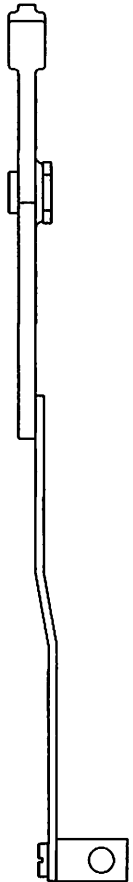
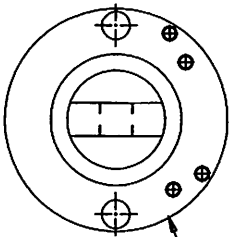


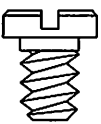
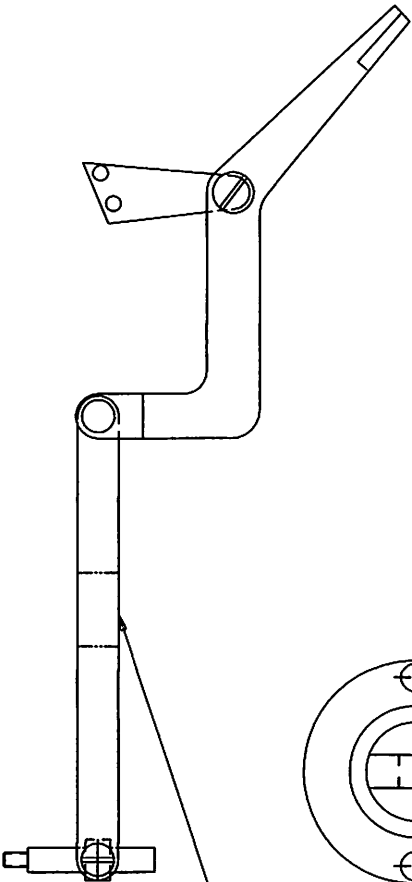
REVISIONS			
LTR	DESCRIPTION	DATE	BY
A	UPDATED DRAWING TO SHOW PARTS INCLUDED IN ASSEMBLY.	6-11-98	JN



M00-0077
ADJUSTABLE LUG BACK
FOR RIGHT HAND
LIFTING LEVER



G10-0020
LIFT LEVER ASSEMBLY,
RIGHT HAND 2"
WITH 2 MOUNTING SCREWS
AS SHOWN



NOTE: REFERENCE SEE K04-0041 FOR ASSEMBLY INSTRUCTIONS.

CHICAGO DIAL INDICATOR CO.			
1372 REDEKER ROAD, DES PLAINES, IL. 60016			
TOLERANCES UNLESS OTHERWISE SPECIFIED .XXX±.005, .XX±.01, FRACTIONS±.015			
ASSEMBLY, LIFT LEVER 2" ELECTRONIC			
DRW BY	DATE	CHK BY	DATE
JNEFF	8-3-92		
MATERIAL: SEE CALLOUTS		SIZE	SCALE
		B	1/1
		CD177-20R	REV.
		CD177-20R	A