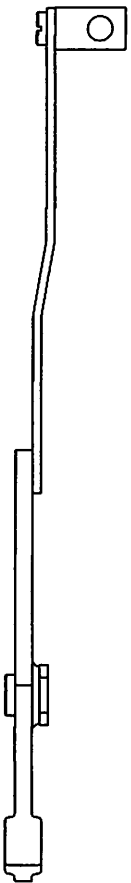
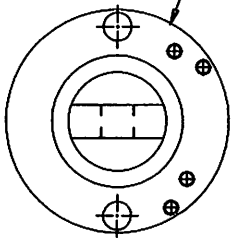


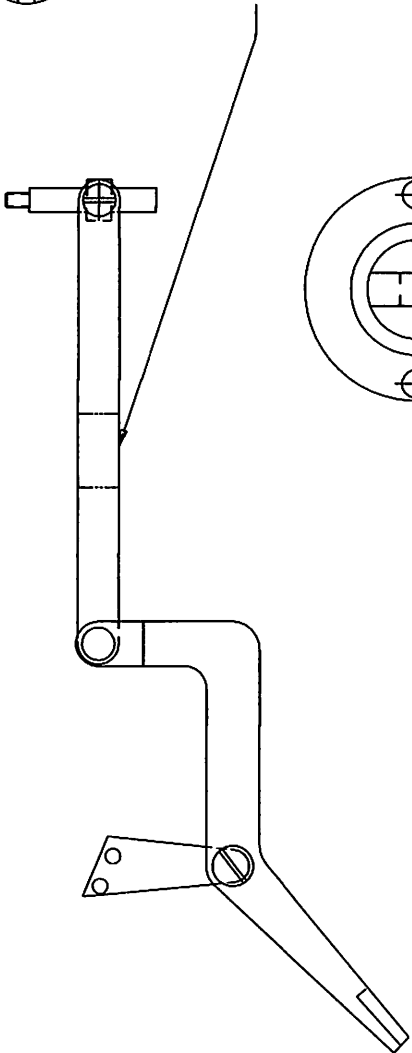
REVISIONS			
LTR	DESCRIPTION	DATE	BY
A	UPDATED DRAWING TO SHOW PARTS INCLUDED IN ASSEMBLY.	6-11-98	JN



M00-0076
ADJUSTABLE LUG BACK
FOR LEFT HAND
LIFTING LEVER



G10-0019
LIFT LEVER ASSEMBLY,
LEFT HAND 2"
WITH 2 MOUNTING SCREWS
AS SHOWN



NOTE: REFERENCE SEE K04-0041 FOR ASSEMBLY INSTRUCTIONS.

CHICAGO DIAL INDICATOR CO.							
1372 REDEKER ROAD, DES PLAINES, IL. 60016							
TOLERANCES UNLESS OTHERWISE SPECIFIED .XXX: .005 .XX: .01 FRACTIONS: .015							
ASSEMBLY, LIFT LEVER 2" ELECTRONIC							
DRW BY	DATE	CHK BY	DATE	EJN NO.	CAD FILE NO.	SCALE	
JNEFF	8-3-92				CD17720L	1/1	
MATERIAL:		SEE CALLOUTS		SIZE	DRAWING NO.	REV.	
				B	CD177-20L	A	