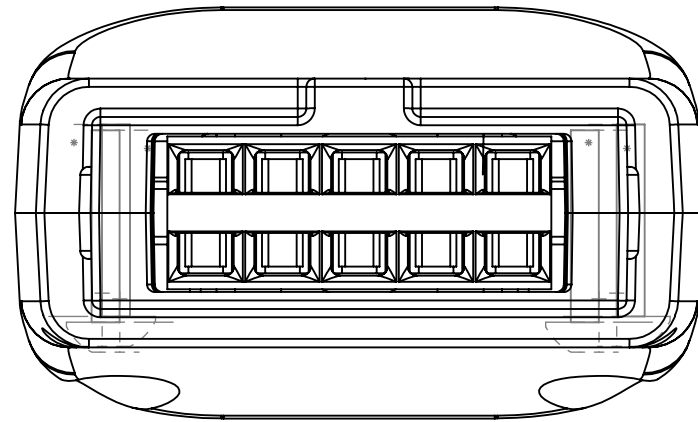


TOP
PIN LOCATION

1 3 5 7 9



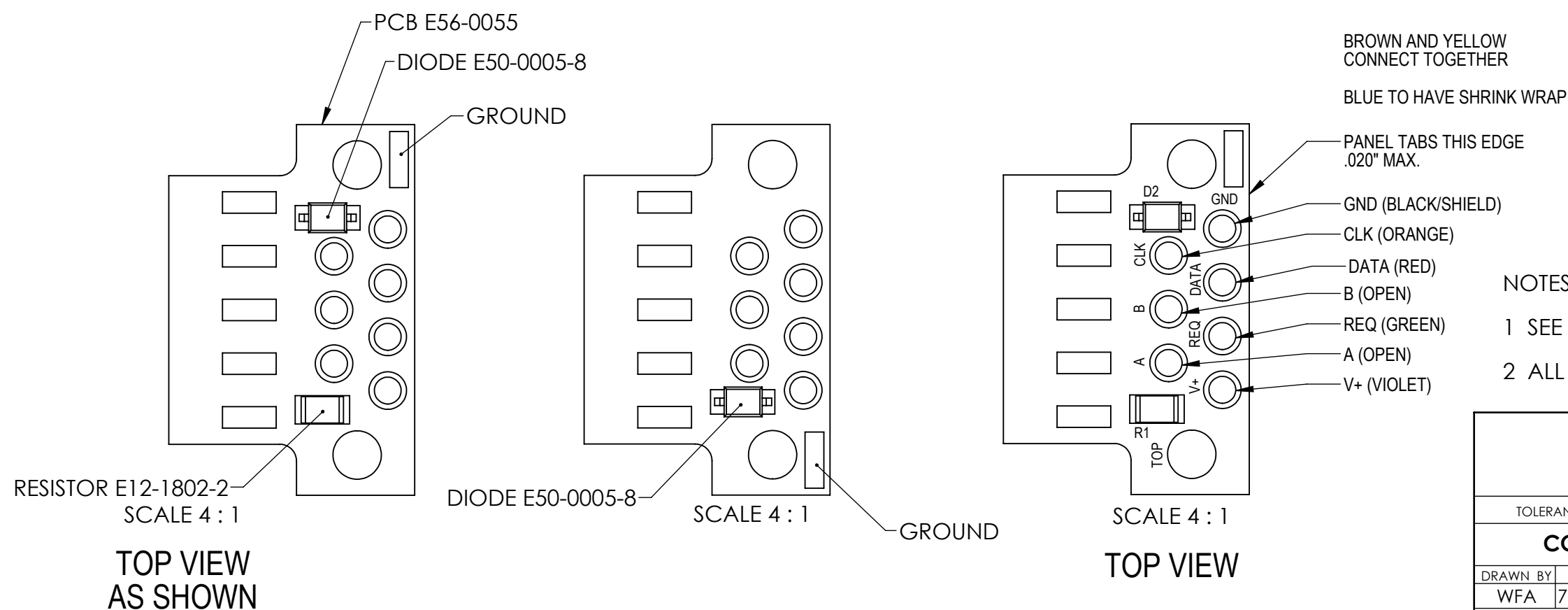
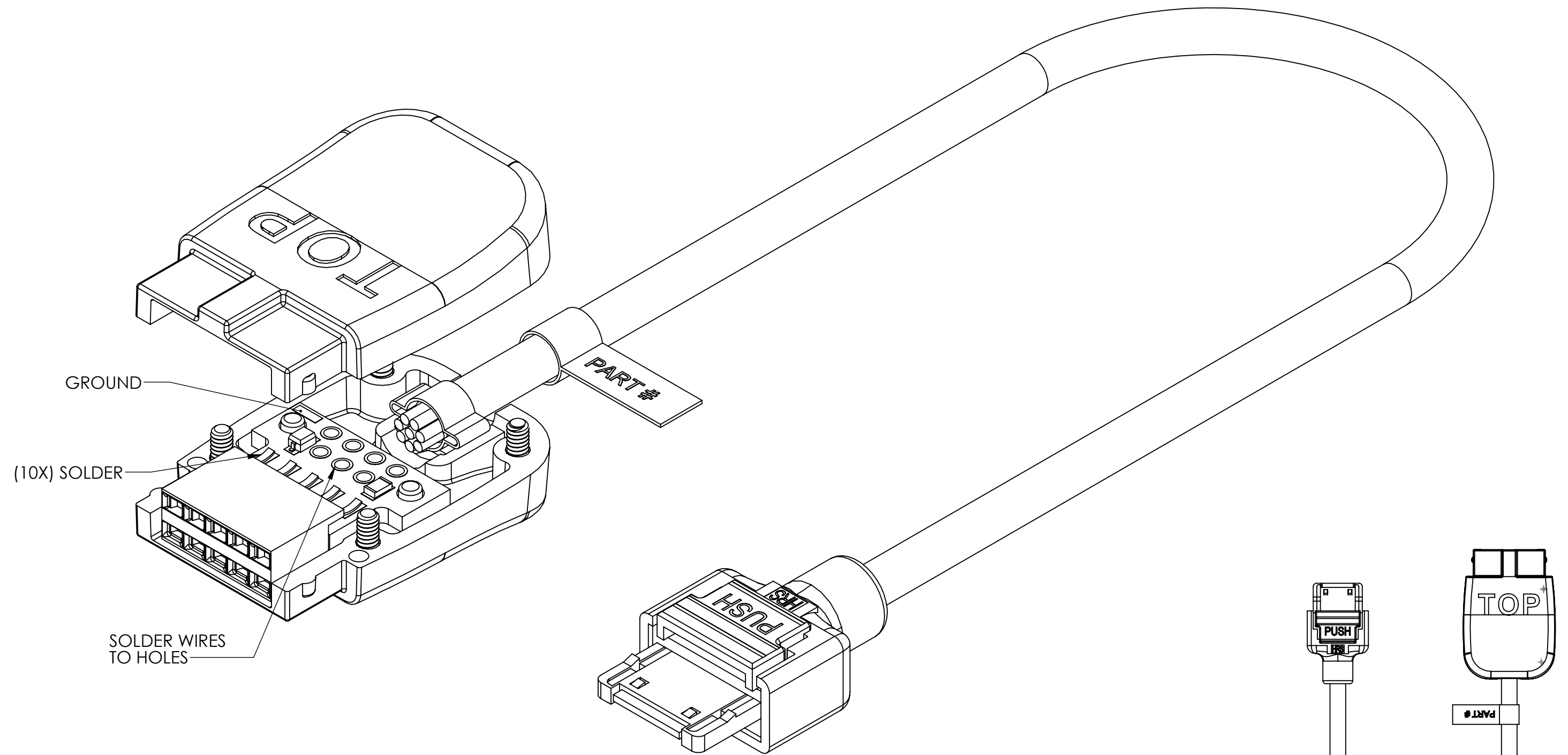
2 4 6 8 10

CABLE CONNECTION CHART

COLOR	LOGIC/MINILOGIC MITUTOYO
BLACK	GND
RED	DATA
ORANGE	CLK
GREEN	REQ
BROWN	STRAP
YELLOW	STRAP
BRAID	GND PAD
VIOLET	V+
BLUE	---

HIROSE CONNECTION

PIN#	COLOR
1	BROWN
2	RED
3	ORANGE
4	YELLOW
5	GREEN
6	BLUE
7	VIOLET
8	BLACK



- NOTES:
- SEE SHEET E56-0055 FOR WIRE SOLDER LOCATIONS.
 - ALL PARTS MUST BE RoHS COMPLIANT.

CHICAGO DIAL INDICATOR CO.
1372 REDEKER ROAD, DES PLAINES IL. 60016

TOLERANCES UNLESS OTHERWISE SPECIFIED .XXX ±.005, .XX ±.010, .X ±.015, 1/X ±.015, X* ±1*

CONNECTOR, 10 PIN, DIGIMATIC / MTI, ASSEMBLY

DRAWN BY	DATE	CHECKED BY	DATE	EJN NO.	CAD FILE NO.	SCALE
WFA	7/6/17				G03-0094.SLDDRW	
MATERIAL					SIZE	DWG. NO.
					C	G03-0019