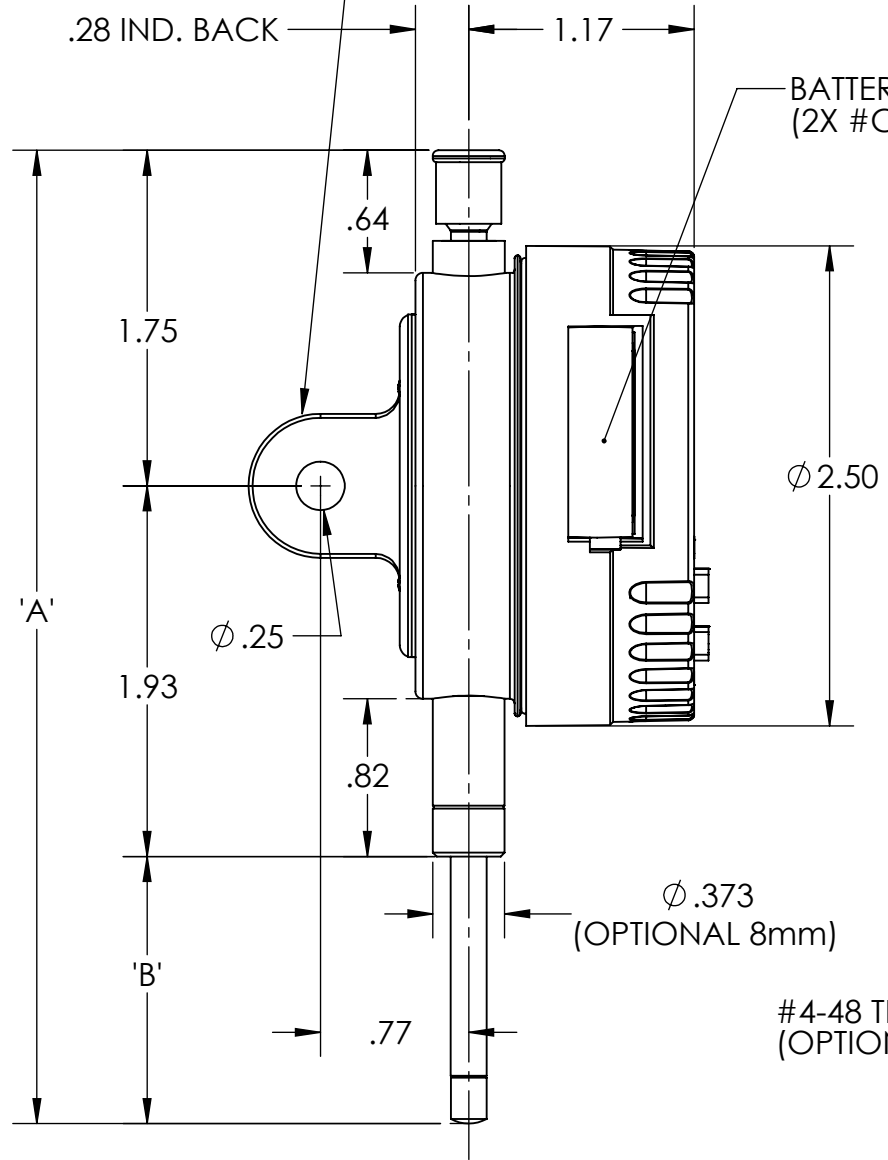


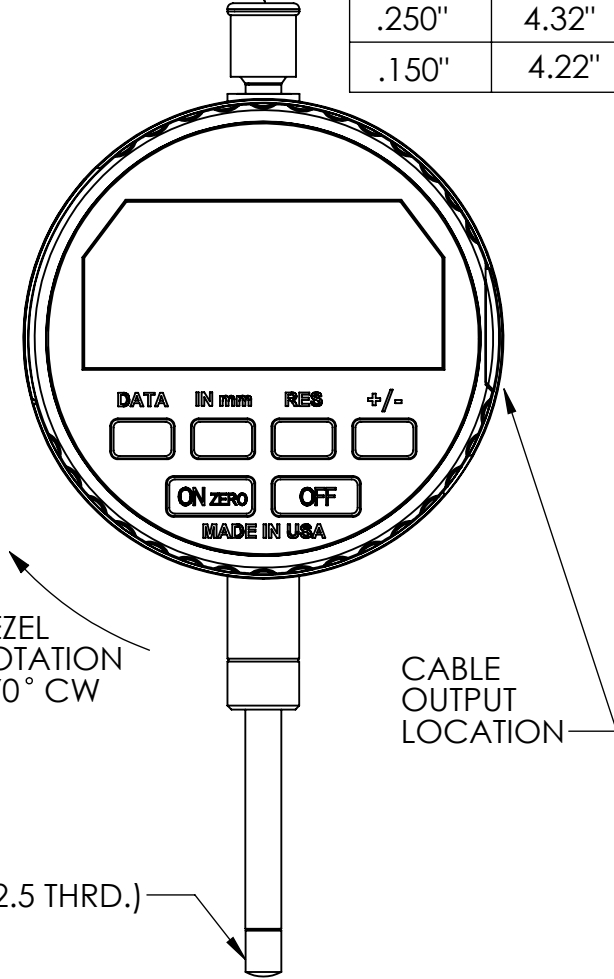
LUG BACK
(OPTIONAL FLAT BACK)

FINGER LIFT
(OPTIONAL DUST CAP)

TRAVEL / 'A' DIM. / 'B' DIM.		
1.00"	5.07"	1.39"
.600"	4.67"	.99"
.250"	4.32"	.64"
.150"	4.22"	.54"



BATTERY TRAY
(2X #CR2450)



#4-48 THRD.
(OPTIONAL M2.5 THRD.)