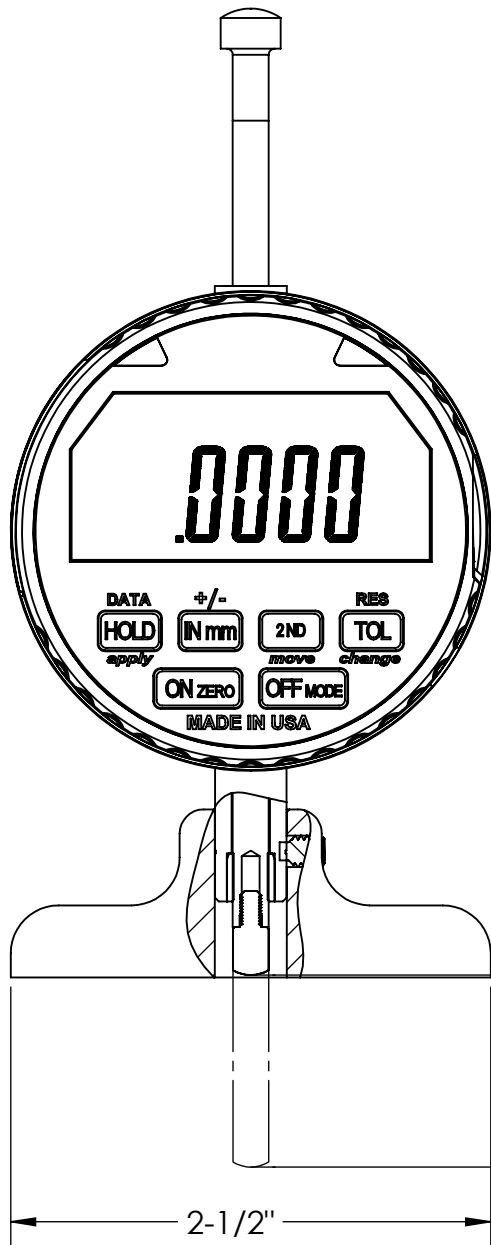


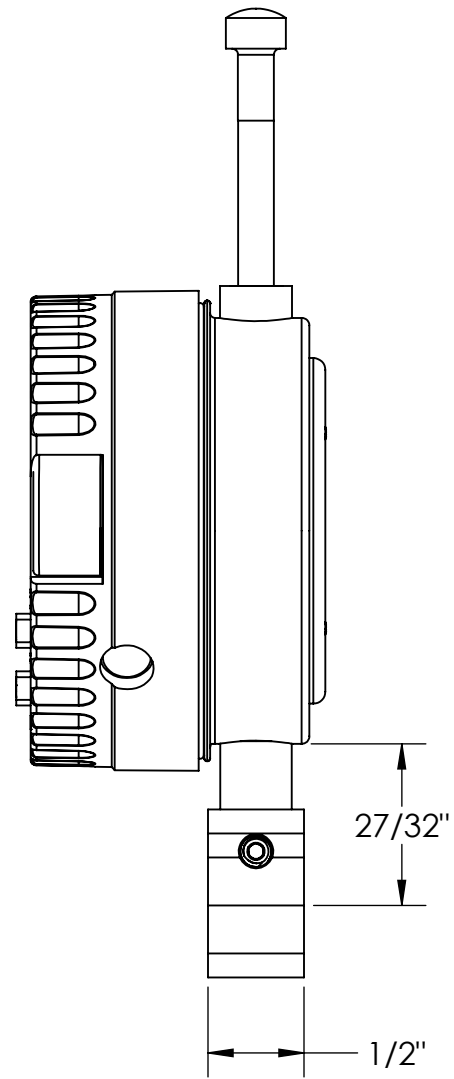
BEZEL
ROTATION
270° CW



MUST TRAVEL
1.0" MINIMUM

WITH SPINDLE AT REST

2-1/2"



27/32"

1/2"

DG10-3
TRAVEL: 1.000"
RESOLUTION: .0001"/.002mm