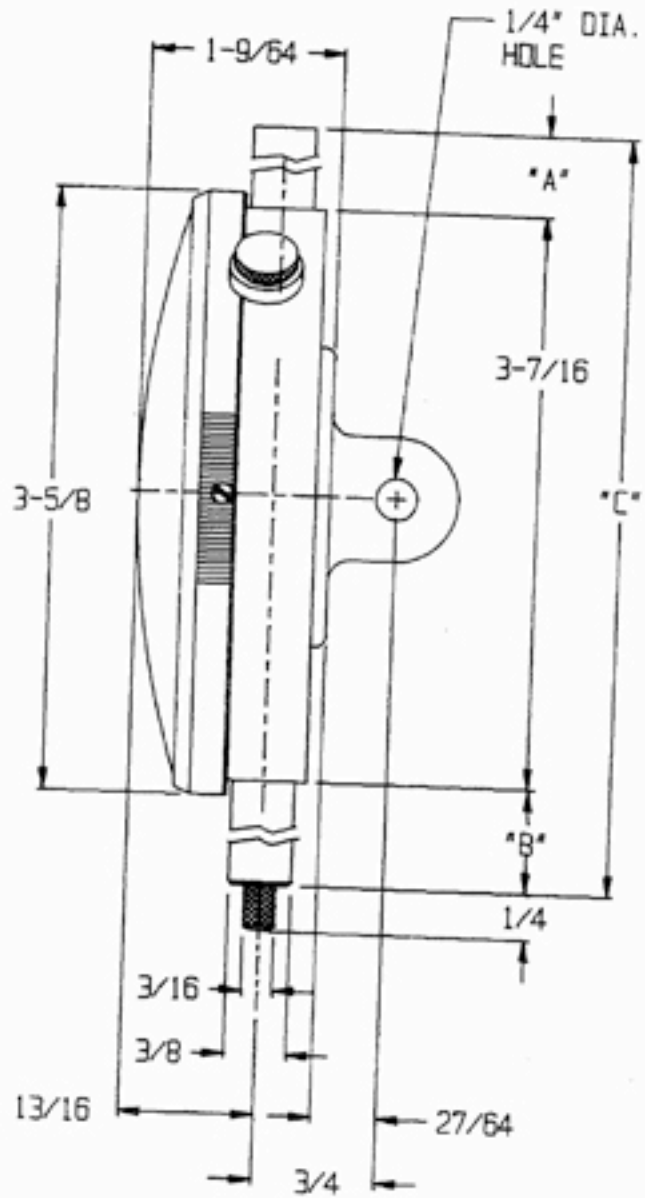
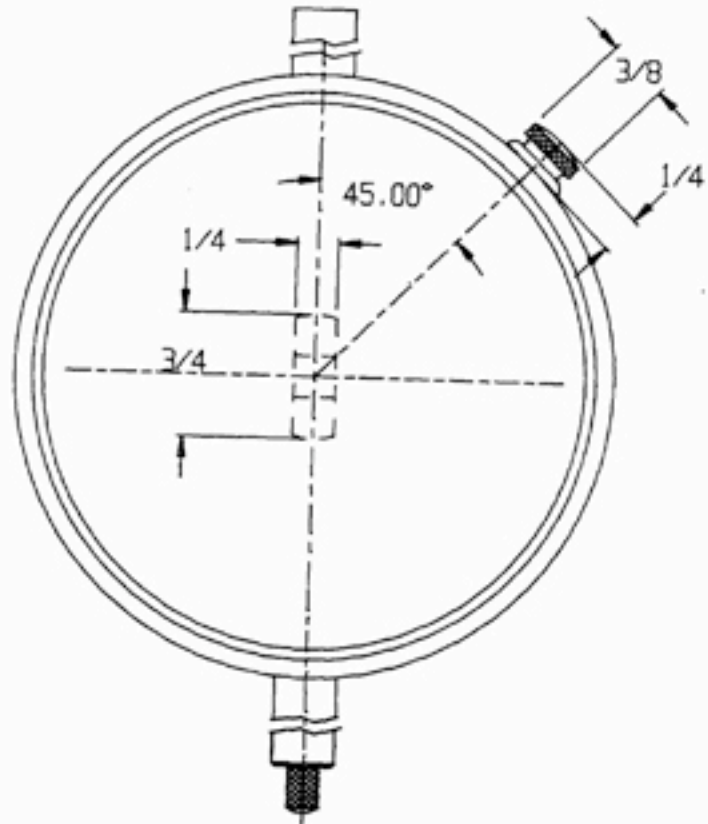


GROUP 4 LONG RANGE INDICATOR



RANGE	DIM. "A"	DIM. "B"	DIM. "C"
2°	2-17/32	1-41/64	7-39/64
3°	3-21/32	2-5/8	9-23/32
4°	4-25/32	3-5/8	11-27/32
5°	6-31/32	4-5/8	15-1/32